

LIVE OAK CREEK  
BRIDGE

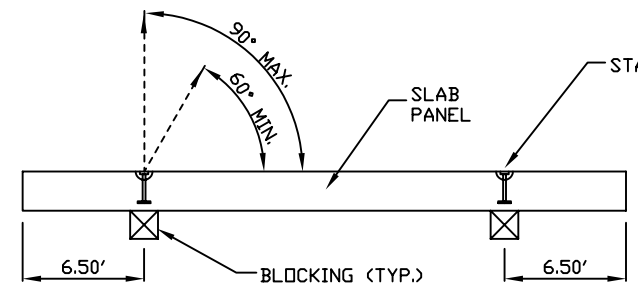


SPAN #1

AW-1 PANELS - 2 EA.  
AW-2 PANELS - 6 EA.

SPAN #2

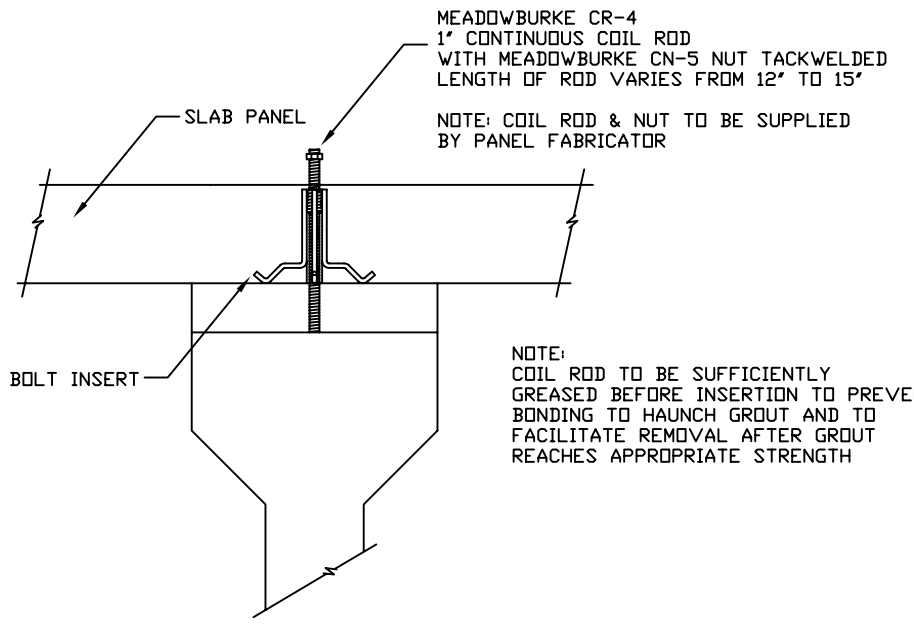
AW-1 PANELS - 2 EA.  
AW-2 PANELS - 12 EA.



LIFTING & BLOCKING DETAIL

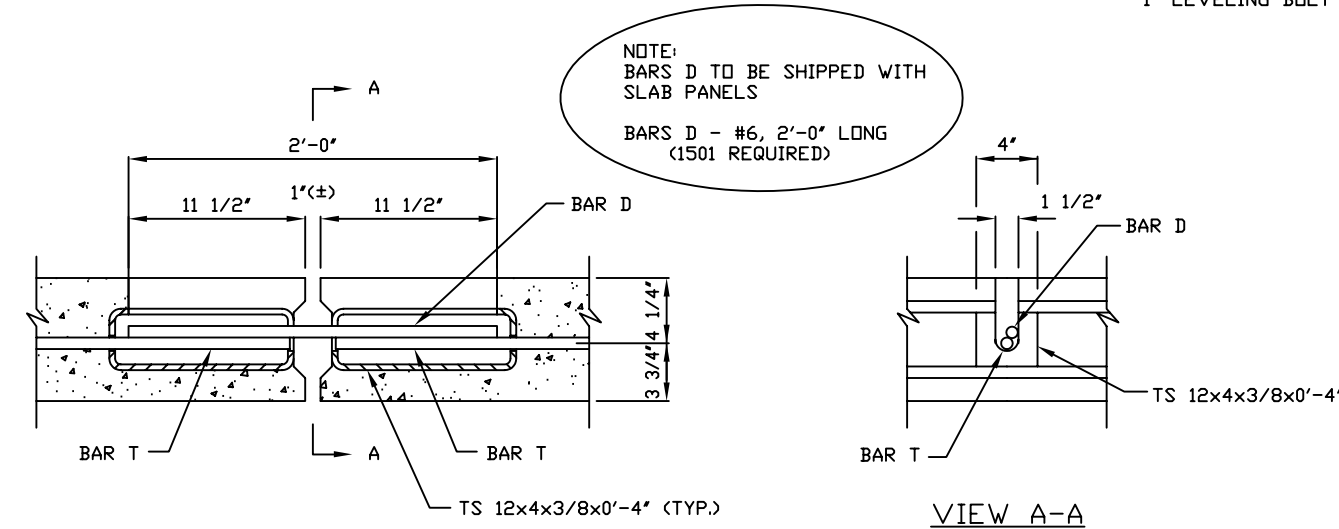
NOTE:  
LIFTING TO BE DONE WITH TWO LIFTING  
CRANES OR SPREADER BAR TO MAKE SURE  
THE SAME LOAD IS ON EACH LIFTING DEVICE

NOTE:  
BLOCKING FACES MUST BE PARALLEL TO EACH  
OTHER SO THAT NO TWISTING WILL BE  
INDUCED IN THE PANEL



LEVELING BOLT DETAIL

NOTE:  
COIL ROD TO BE SUFFICIENTLY  
GREASED BEFORE INSERTION TO PREVENT  
BONDING TO HAUNCH GROUT AND TO  
FACILITATE REMOVAL AFTER GROUT  
REACHES APPROPRIATE STRENGTH



JOINT WITH COUPLER DETAILS

NOTE:  
BARS D TO BE SHIPPED WITH  
SLAB PANELS

BARS D - #6, 2'-0" LONG  
(1501 REQUIRED)

GENERAL NOTES:  
1. MARKED END OF PANELS TO BE PLACED AS SHOWN.  
2. FOR FABRICATION DETAILS; SEE SHT. F-3&4

TOTAL NO. INT. PANELS AW-2 - 72 REQUIRED  
TOTAL NO. END PANELS AW-1 - 14 REQUIRED

CONTRACTOR'S OPTIONS	
END DIAFRAM: NONE	SLAB OPTION: DECK PANELS
INT. DIAFRAM: NONE	INSERTS: THREADED RODS
<b>SUBMITTED FOR APPROVAL</b>	<b>RELEASED FOR FABRICATION</b>
DATE: 9/19/2007	DATE:

ERECTION PLAN

SHT. 1 OF 3



TEXAS CONCRETE COMPANY  
P.O. DRAWER 1070 VICTORIA, TEXAS 77901

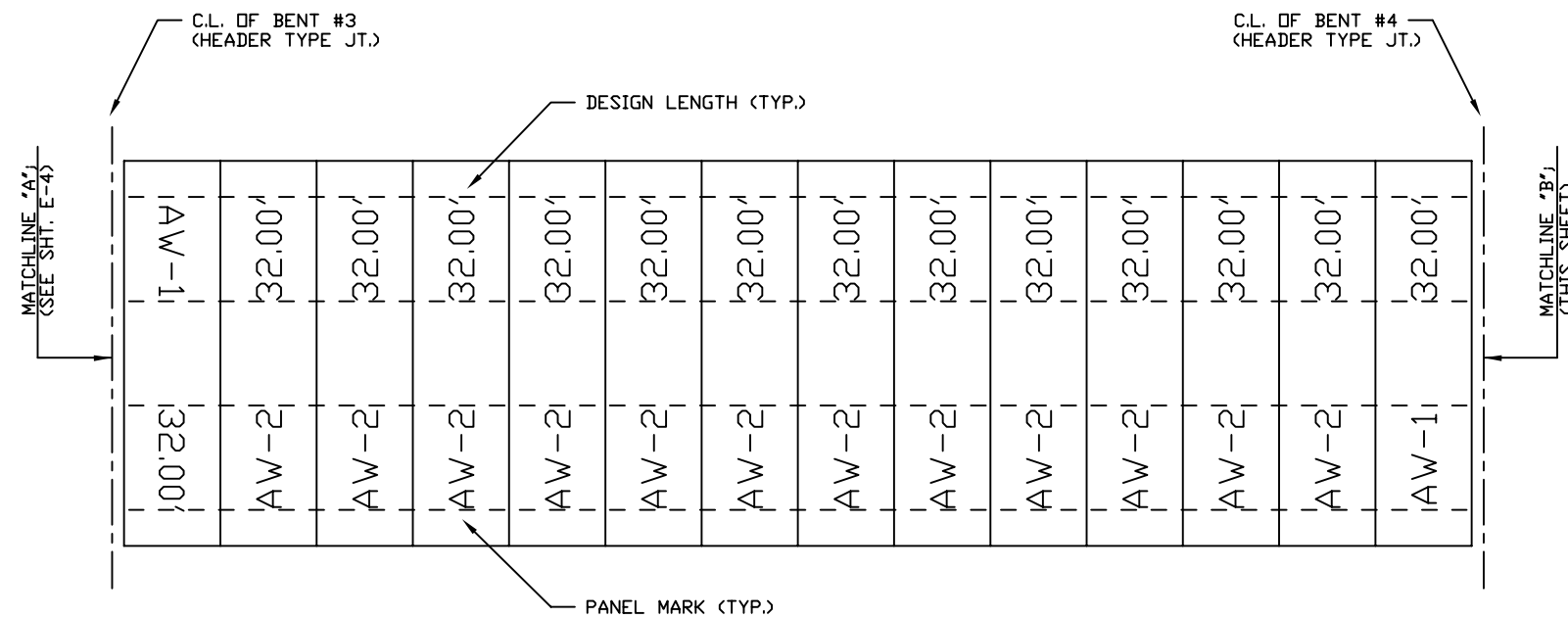


**APPROVED**

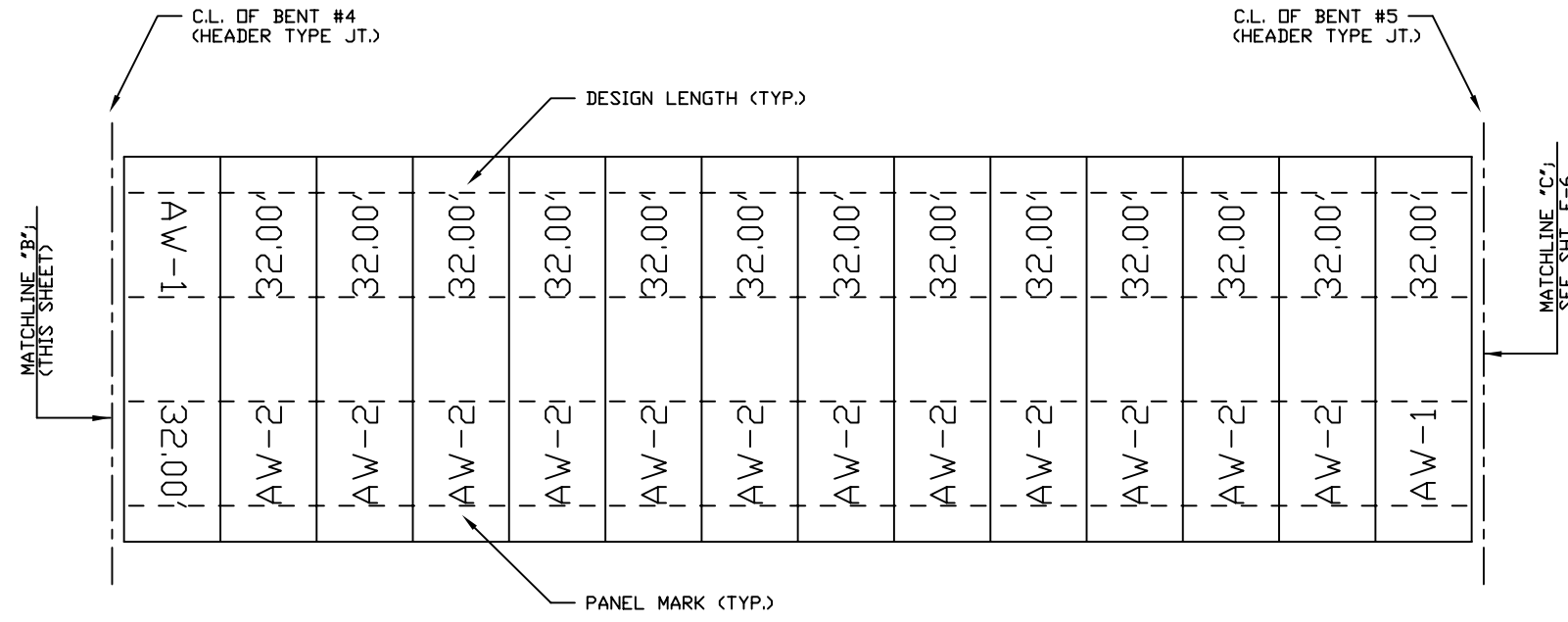
DATE: 10/02/2007

APPROVAL OF THIS DRAWING DOES NOT RELIEVE THE CONTRACTOR OF THE RESPONSIBILITY FOR THE CORRECTNESS OF DETAIL.

CUSTOMER	CHEROKEE BRIDGE & RD., LTD.	DWN: R.D.B.
OWNER	TX. D.O.T.	CHKD: B.S.P.
ENGINEER	TX. D.O.T.	DATE: 6/13/07
STRUCTURE	LIVE OAK CREEK BRIDGE	SHEET NO. E-4
LOCATION	CROCKETT COUNTY	DWG. NO. D-2904
PROJECT	#BR 2005(856); CONT. #0140-08-021	JOB NO. 396



**SPAN #3**  
 AW-1 PANELS - 2 EA.  
 AW-2 PANELS - 12 EA.



**SPAN #4**  
 AW-1 PANELS - 2 EA.  
 AW-2 PANELS - 12 EA.



**LIVE OAK CREEK  
 BRIDGE**

**GENERAL NOTES:**  
 1. MARKED END OF PANELS TO BE PLACED AS SHOWN.  
 2. FOR FABRICATION DETAILS; SEE SHT. F-3&4

CONTRACTOR'S OPTIONS	
END DIAFRAM: NONE	SLAB OPTION: DECK PANELS
INT. DIAFRAM: NONE	INSERTS: THREADED RODS
<b>SUBMITTED FOR APPROVAL</b>	<b>RELEASED FOR FABRICATION</b>
DATE: 9/19/2007	DATE: _____

**ERECTION PLAN**

SHT. 2 OF 3



**TEXAS CONCRETE COMPANY**  
 P.O. DRAWER 1070 VICTORIA, TEXAS 77901

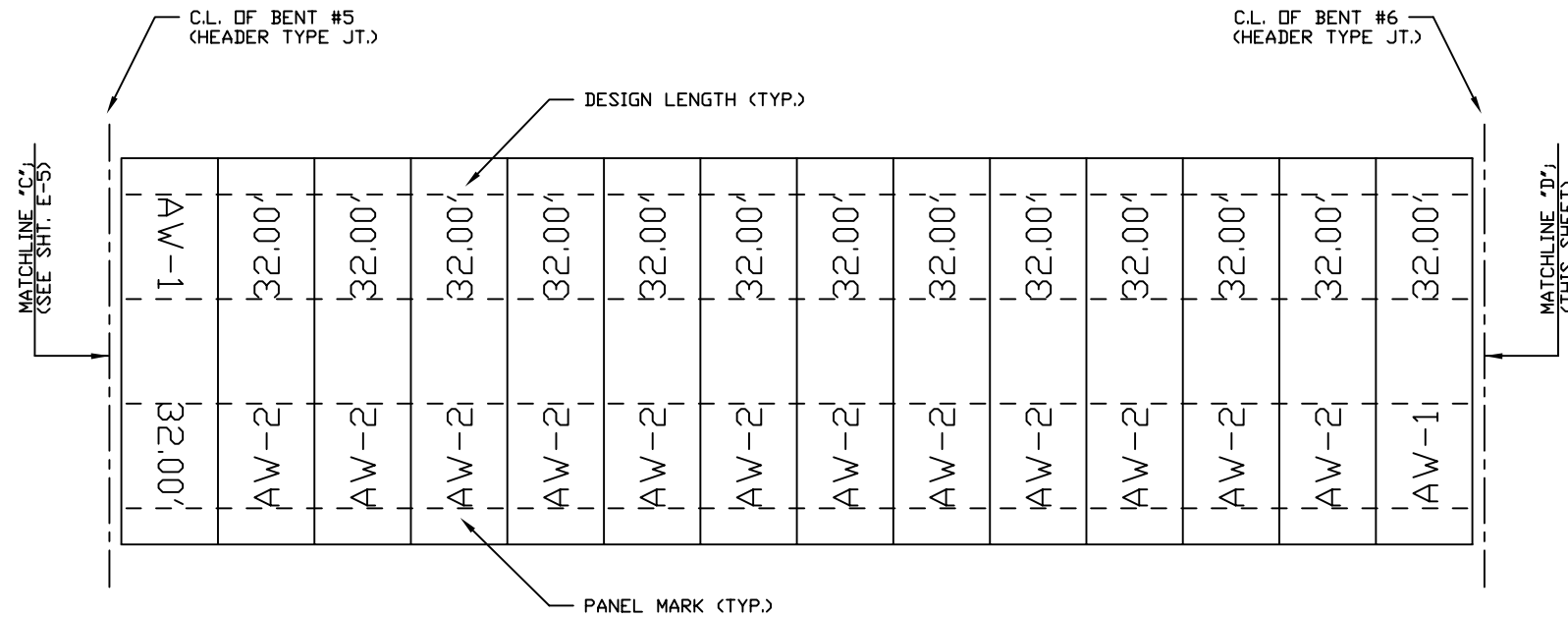


**APPROVED**

**DATE: 10/02/2007**

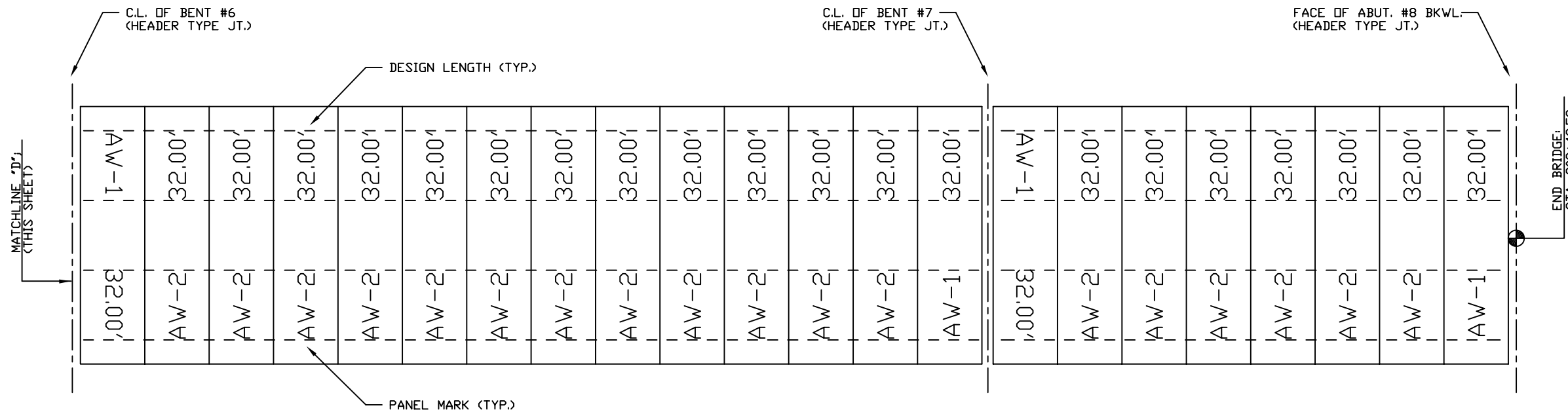
APPROVAL OF THIS DRAWING DOES NOT RELIEVE THE CONTRACTOR OF THE RESPONSIBILITY FOR THE CORRECTNESS OF DETAIL.

CUSTOMER	CHEROKEE BRIDGE & RD., LTD.	DWN: R.D.B.
OWNER	TX. D.O.T.	CHKD: B.S.P.
ENGINEER	TX. D.O.T.	DATE: 6/13/07
STRUCTURE	LIVE OAK CREEK BRIDGE	SHEET NO. E-5
LOCATION	CROCKETT COUNTY	DWG. NO. D-2904
PROJECT	#BR 2005(856); CONT. #0140-08-021	JOB NO. 396



**SPAN #5**

AW-1 PANELS - 2 EA.  
AW-2 PANELS - 12 EA.



**SPAN #6**

AW-1 PANELS - 2 EA.  
AW-2 PANELS - 12 EA.

**SPAN #7**

AW-1 PANELS - 2 EA.  
AW-2 PANELS - 6 EA.



GENERAL NOTES:  
1. MARKED END OF PANELS TO BE PLACED AS SHOWN.  
2. FOR FABRICATION DETAILS; SEE SHT. F-3&4

CONTRACTOR'S OPTIONS	
END DIAFRAM: NONE	SLAB OPTION: DECK PANELS
INT. DIAFRAM: NONE	INSERTS: THREADED RODS
<b>SUBMITTED FOR APPROVAL</b>	<b>RELEASED FOR FABRICATION</b>
DATE: 9/19/2007	DATE: _____

**ERECTION PLAN**

SHT. 3 OF 3

**TEXAS CONCRETE COMPANY**  
P.O. DRAWER 1070 VICTORIA, TEXAS 77901

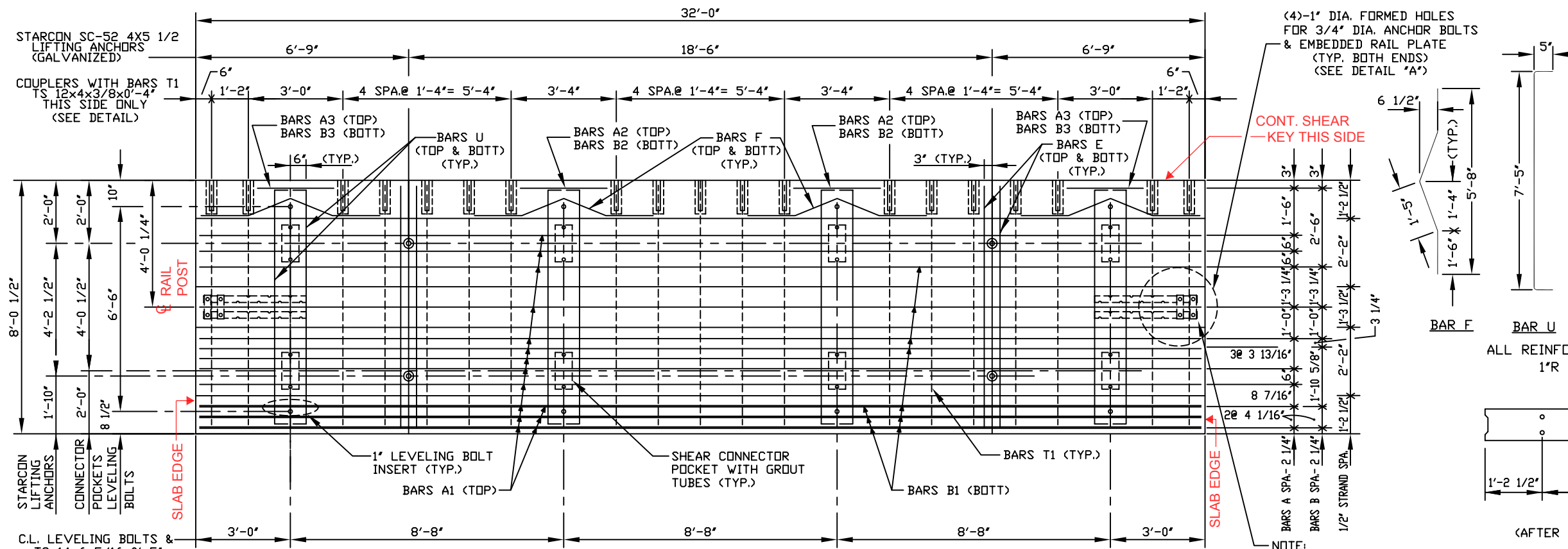


**APPROVED**

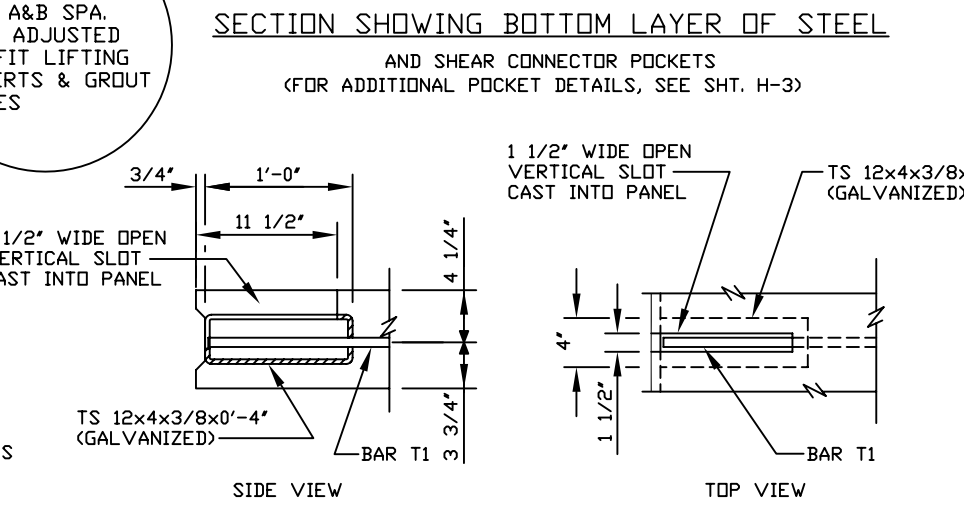
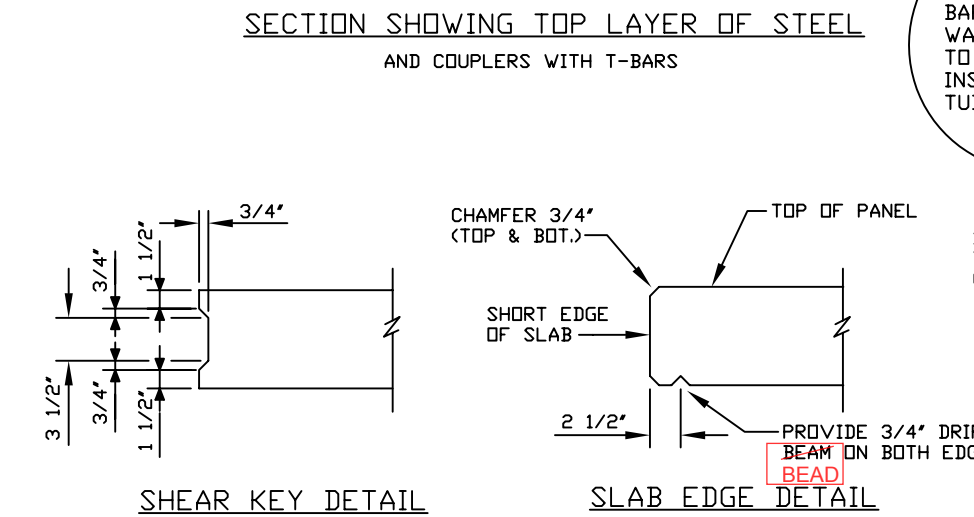
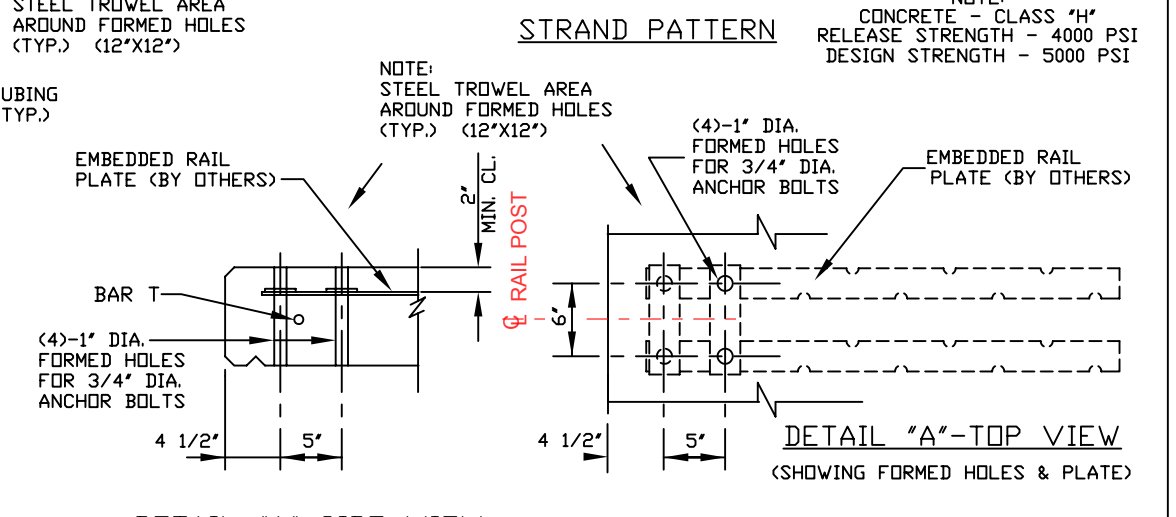
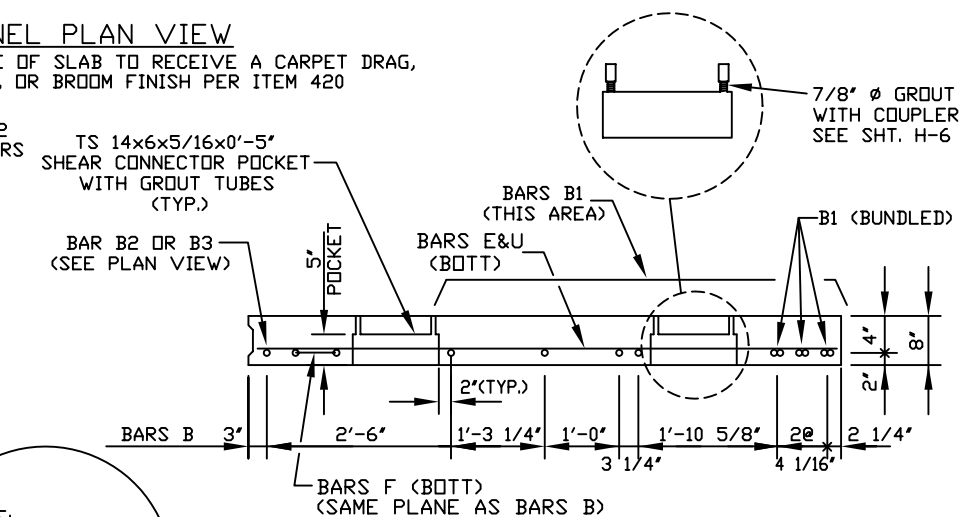
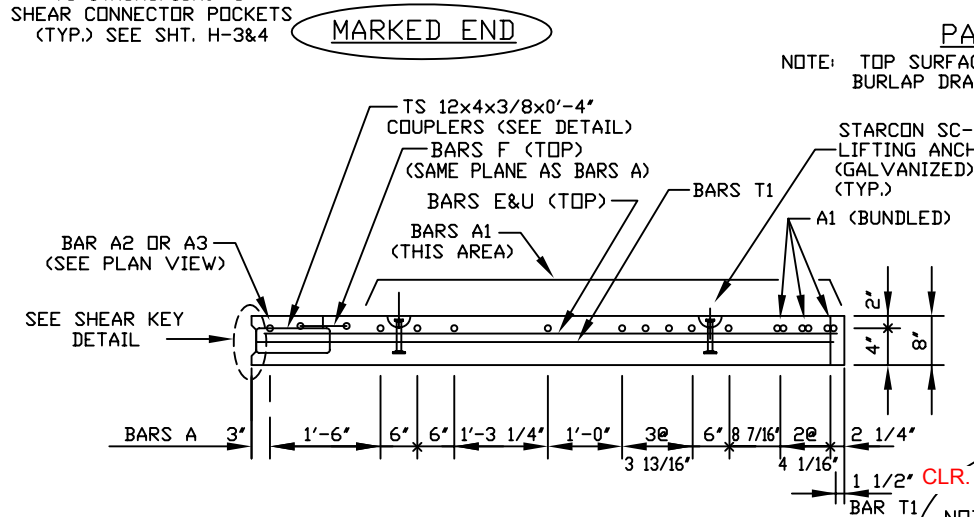
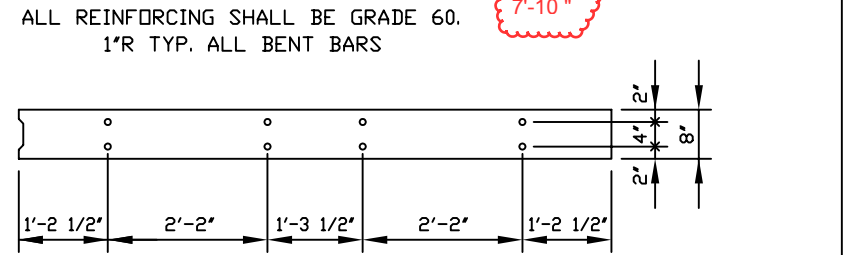
**DATE: 10/02/2007**

APPROVAL OF THIS DRAWING DOES NOT RELIEVE THE CONTRACTOR OF THE RESPONSIBILITY FOR THE CORRECTNESS OF DETAIL.

CUSTOMER	CHEROKEE BRIDGE & RD., LTD.	DWN: R.D.B.
OWNER	TX. D.O.T.	CHKD: B.S.P.
ENGINEER	TX. D.O.T.	DATE: 6/13/07
STRUCTURE	LIVE OAK CREEK BRIDGE	SHEET NO. E-6
LOCATION	CROCKETT COUNTY	DWG. NO. D-2904
PROJECT	#BR 2005(856); CONT. #0140-08-021	JOB NO. 396



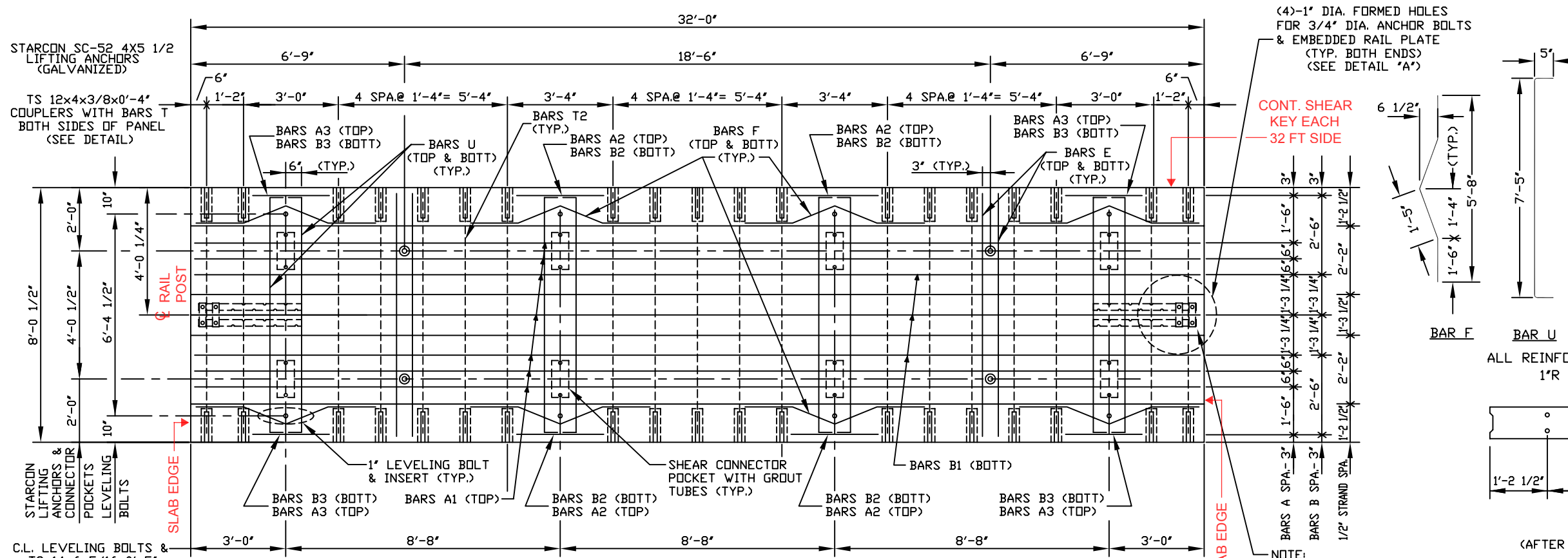
REINFORCING STEEL					
BAR	SIZE	LENGTH	NO. REQ'D. PER PANEL	TOTAL	WEIGHT
A1	#4	31'-9"	15	210	4454#
A2	#4	2'-9"	2	28	52#
A3	#4	2'-5"	2	28	46#
B1	#4	31'-9"	10	140	2970#
B2	#4	2'-9"	2	28	52#
B3	#4	2'-5"	2	28	46#
E	#4	7'-8"	8	112	574#
F	#4	5'-11"	8	112	443#
T1	#6	7'-11"	19	266	3163#
U	#4	8'-3"	16	224	1235#
TOTAL WEIGHT					13,035#



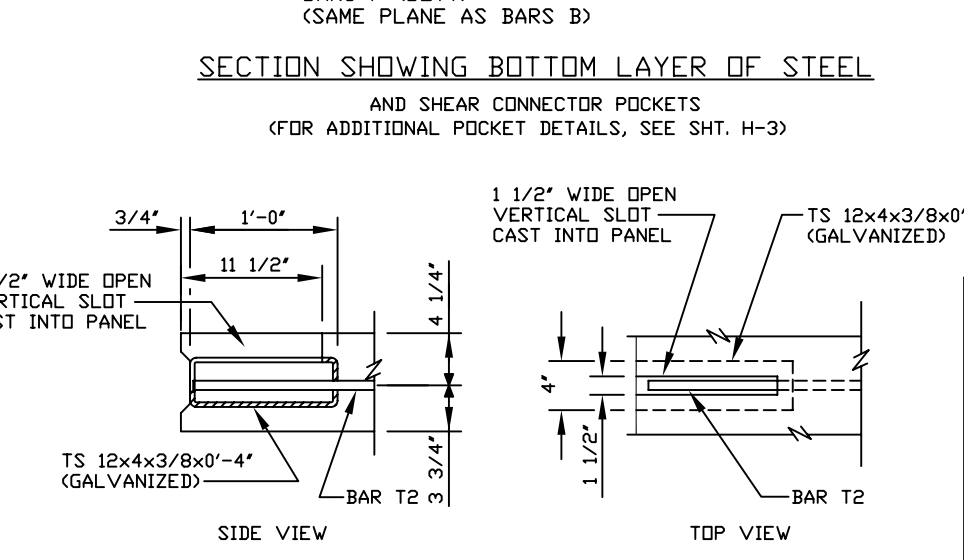
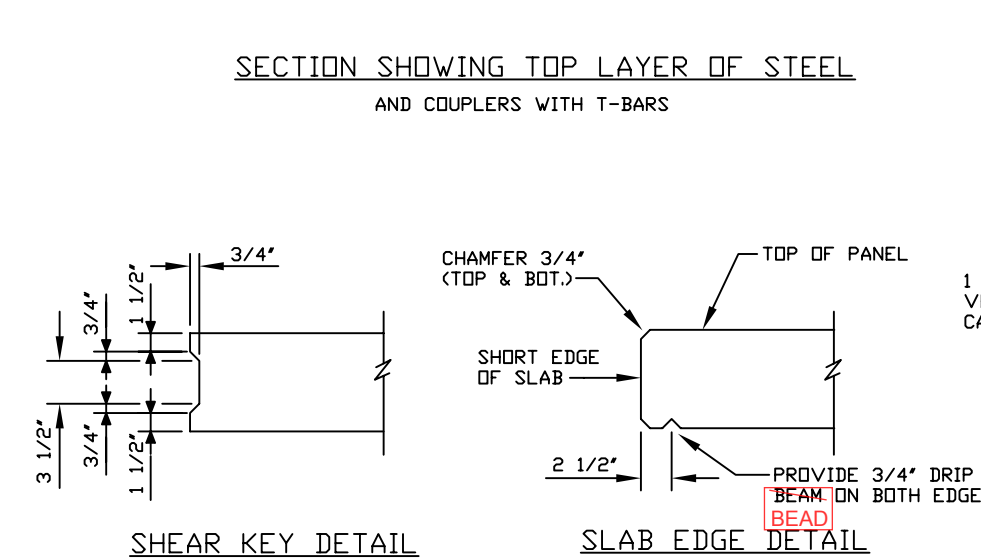
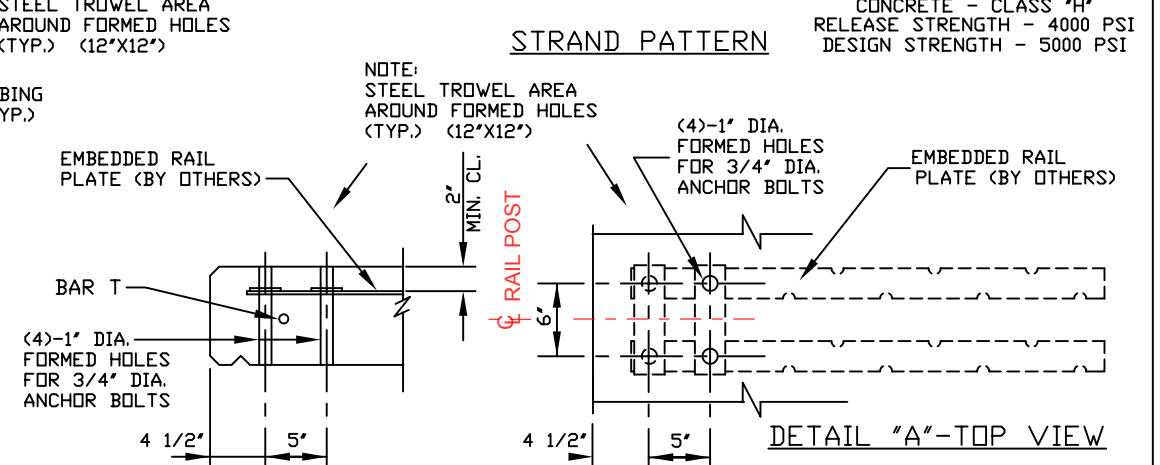
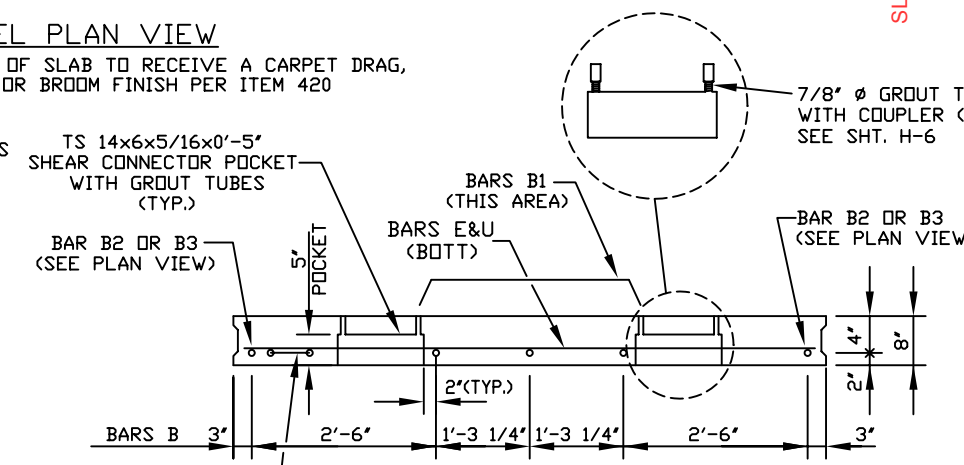
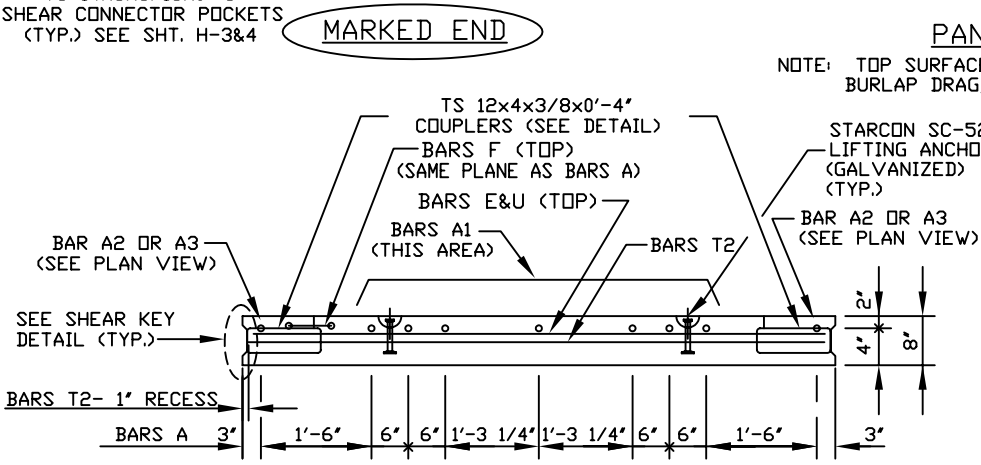
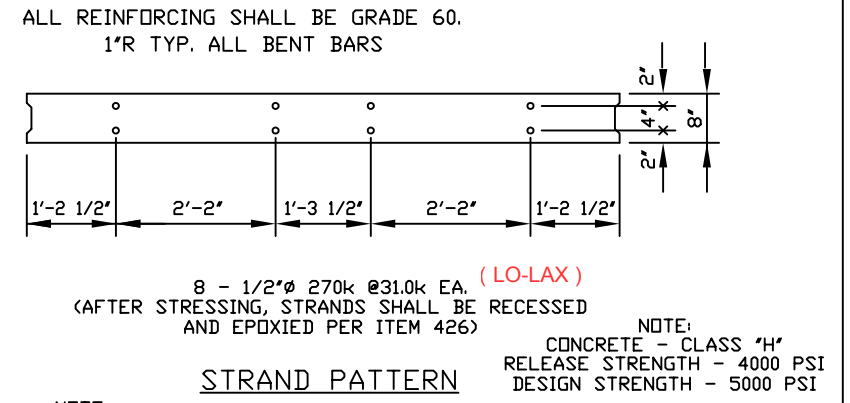
**TxDOT BRIDGE DIVISION**  
**APPROVED EXCEPT AS NOTED**  
DATE: 10/02/2007

APPROVAL OF THIS DRAWING DOES NOT RELIEVE THE CONTRACTOR OF THE RESPONSIBILITY FOR THE CORRECTNESS OF DETAIL.

SUBMITTED FOR APPROVAL DATE: 9/19/2007	RELEASED FOR FABRICATION DATE: _____
FOR ERECTION PLANS SEE SHEET #E-4,5,6	
BEAM MARK: AW-1	SLAB PANEL DETAIL SPANS #1-7 (EXTERIOR PANELS) (14 REQUIRED)
<b>TEXAS CONCRETE COMPANY</b> P.O. DRAWER 1070 VICTORIA, TEXAS 77901	
CUSTOMER: CHEROKEE BRIDGE & RD., LTD.	DWN/R.D.B.
OWNER: TX. D.O.T.	CHKD B.S.P.
ENGINEER: TX. D.O.T.	DATE: 11/14/07
STRUCTURE: LIVE OAK CREEK BRIDGE	SHEET NO. F-3
LOCATION: CROCKETT COUNTY	DWG. NO. D-2904
PROJECT: #BR 2005(856); CONT. #0140-08-021	JOB NO. 396



REINFORCING STEEL					
BAR	SIZE	LENGTH	NO. REQ'D. PER PANEL	TOTAL	WEIGHT
A1	#4	31'-9"	7	504	10,689#
A2	#4	2'-9"	4	288	530#
A3	#4	2'-5"	4	288	465#
B1	#4	31'-9"	3	216	4582#
B2	#4	2'-9"	4	288	530#
B3	#4	2'-5"	4	288	465#
E	#4	7'-8"	8	576	3004#
F	#4	5'-11"	16	1152	4554#
T2	#6	7'-10"	19	1368	16,095#
U	#4	8'-3"	16	1152	6349#
TOTAL WEIGHT					42,263#

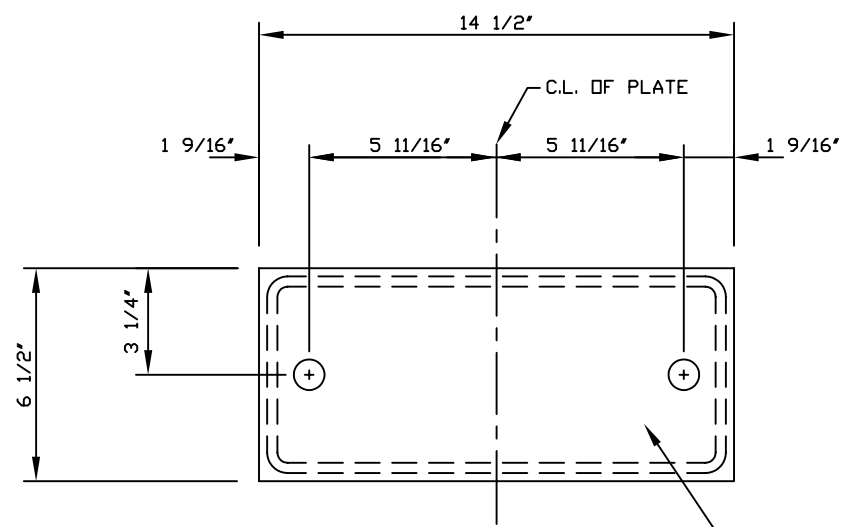


APPROVED EXCEPT AS NOTED

DATE: 10/02/2007

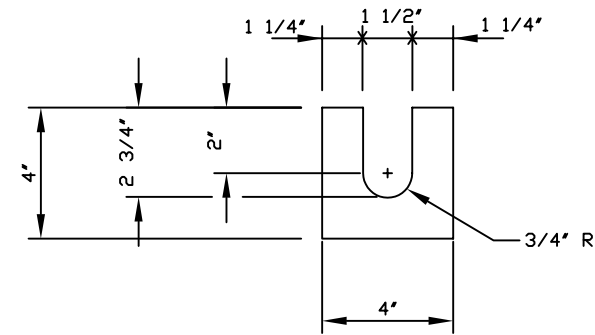
APPROVAL OF THIS DRAWING DOES NOT RELIEVE THE CONTRACTOR OF THE RESPONSIBILITY FOR THE CORRECTNESS OF DETAIL.

<p>DATE: 9/19/2007</p> <p>FOR ERECTION PLANS SEE SHEET #E-4,5,6</p>	<p>DATE: _____</p>
<p>BEAM MARK: AW-2</p>	<p>SLAB PANEL DETAIL</p> <p>SPANS #1-7 (INTERIOR PANELS) (72 REQUIRED)</p>
<p>CUSTOMER: CHEROKEE BRIDGE &amp; RD., LTD.</p> <p>OWNER: TX. D.D.T.</p> <p>ENGINEER: TX. D.D.T.</p> <p>STRUCTURE: LIVE OAK CREEK BRIDGE</p> <p>LOCATION: CROCKETT COUNTY</p> <p>PROJECT: #BR 2005(856); CDNT. #0140-08-021</p>	<p>TEXAS CONCRETE COMPANY</p> <p>P.O. DRAWER 1070 VICTORIA, TEXAS 77901</p> <p>DATE: 10/14/07</p> <p>SHEET NO. F-4</p> <p>DWG. NO. D-2904</p> <p>JOB NO. 396</p>

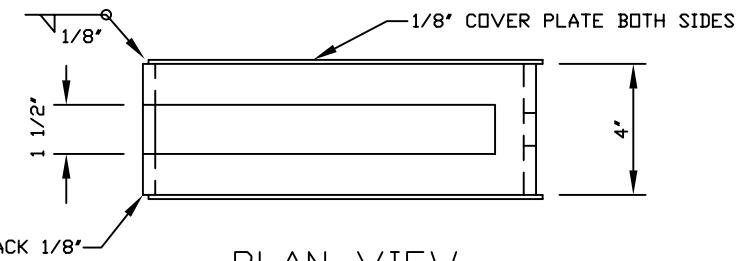


PLAN VIEW

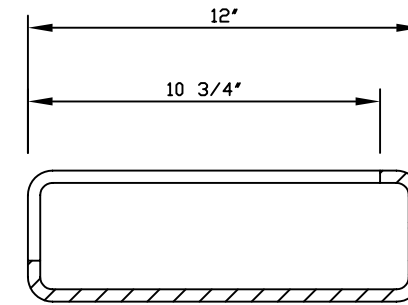
6 1/2"x14 1/2"x1/8" PLATE  
WITH (2)-1 9/16" HOLES AS SHOWN



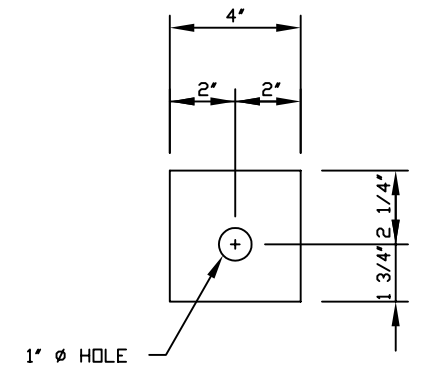
SHEAR KEY END VIEW



PLAN VIEW

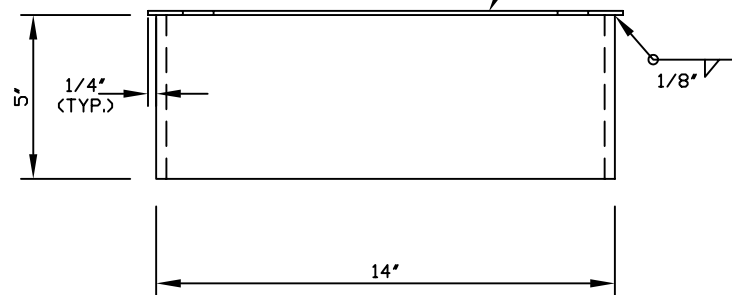


SECTION VIEW



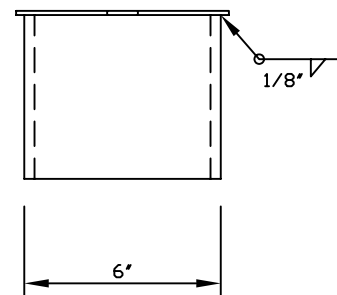
EMBEDDED END VIEW

TS 12x4x3/8x0'-4" DETAILS  
(GALVANIZED)  
(3002 REQUIRED)



SIDE VIEW

TS 14x6x5/16x0'-5" DETAILS  
WITH 1/8" PLATE TOP  
(688 REQUIRED)



END VIEW

NOTE:  
STRUCTURAL TUBES SHALL BE A500 GR. B

SUBMITTED FOR APPROVAL	RELEASED FOR FABRICATION
DATE: 9/19/2007	DATE: _____

**TxDOT**  
**BRIDGE DIVISION**

**APPROVED**

**DATE: 10/02/2007**

APPROVAL OF THIS DRAWING DOES  
NOT RELIEVE THE CONTRACTOR  
OF THE RESPONSIBILITY FOR THE  
CORRECTNESS OF DETAIL.

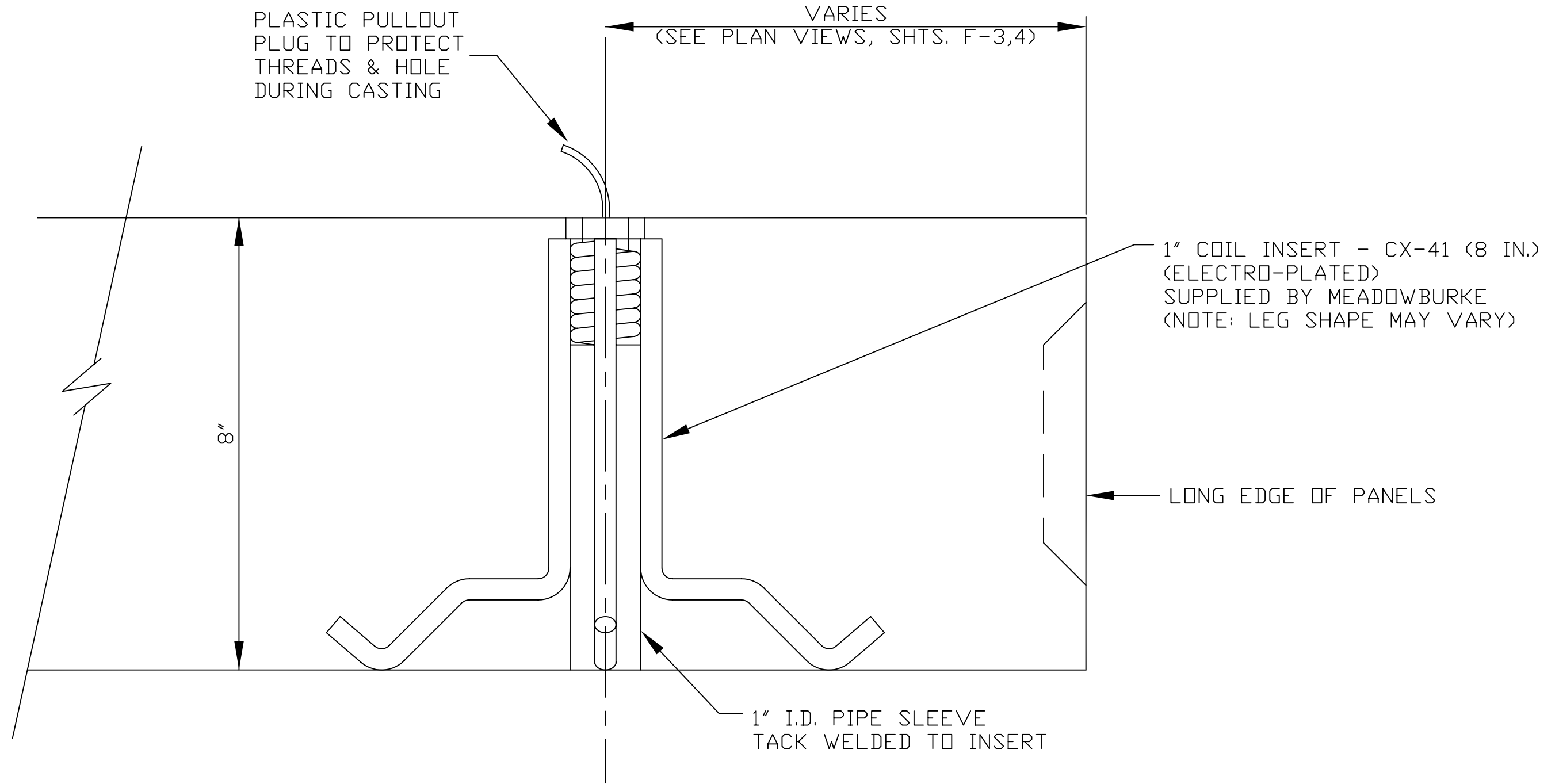
MISC. HARDWARE DETAILS



TEXAS CONCRETE COMPANY

P.O. DRAWER 1070 VICTORIA, TEXAS 77901

CUSTOMER CHEROKEE BRIDGE & RD., LTD.	DWN R.D.B.
OWNER TX. D.O.T.	CHKD B.S.P.
ENGINEER TX. D.O.T.	DATE: 01/07
STRUCTURE LIVE OAK CREEK BRIDGE	SHEET NO. H-3
LOCATION CROCKETT COUNTY	DWG. NO. D-2904
PROJECT #BR 2005(856); CONT. #0140-08-021	JOB NO. 396



1" LEVELING BOLT INSERT DETAIL  
 (REF: SHEETS F-3,4 FOR LOCATIONS)



**APPROVED**  
 DATE: 10/02/2007

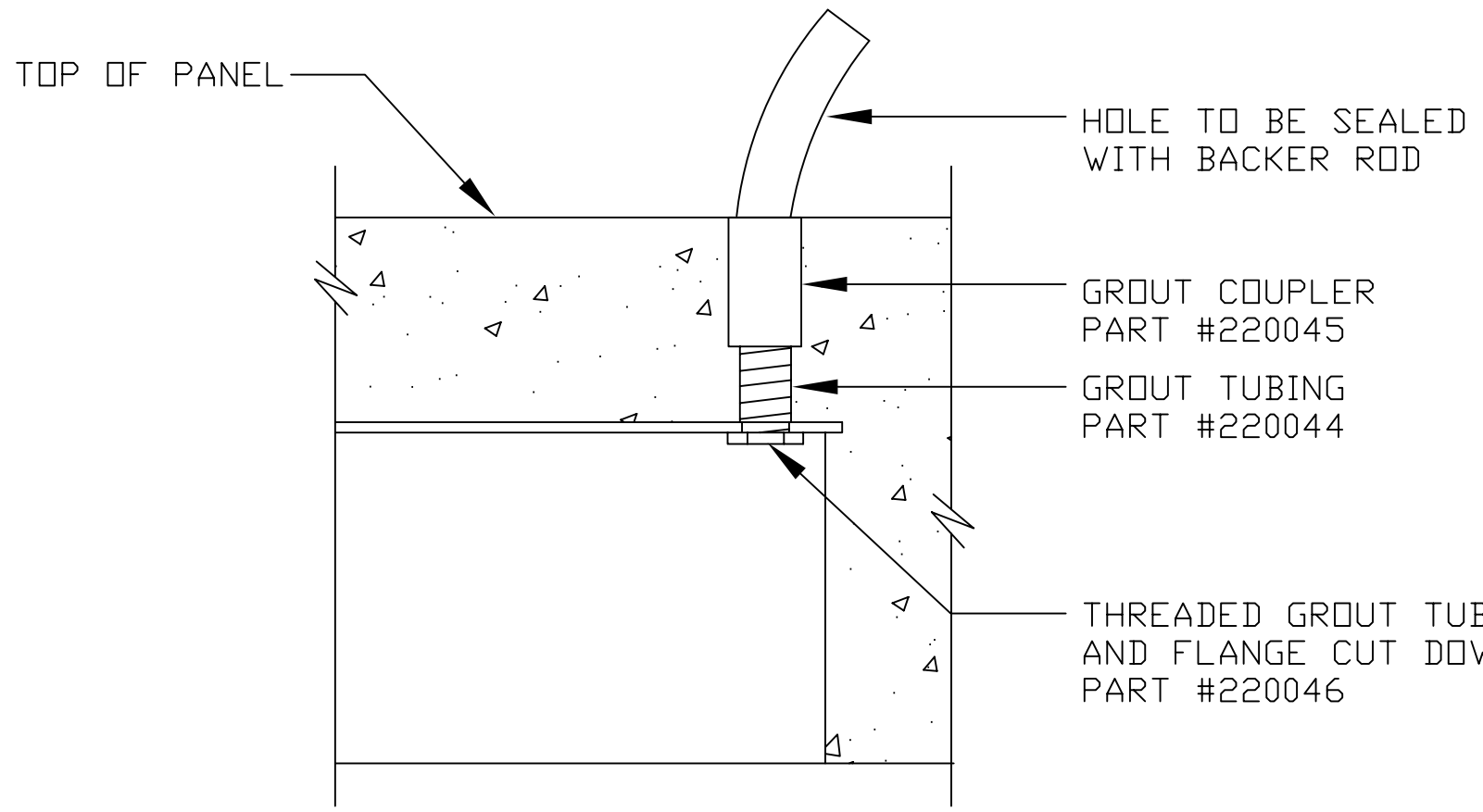
APPROVAL OF THIS DRAWING DOES NOT RELIEVE THE CONTRACTOR OF THE RESPONSIBILITY FOR THE CORRECTNESS OF DETAIL.

SUBMITTED FOR APPROVAL  
 DATE: 9/19/2007

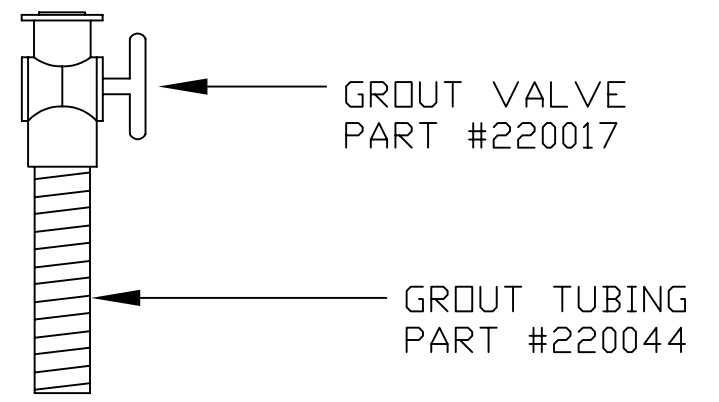
RELEASED FOR FABRICATION  
 DATE: \_\_\_\_\_

TEXAS CONCRETE COMPANY  
 P.O. DRAWER 1070 VICTORIA, TEXAS 77901

CUSTOMER	CHEROKEE BRIDGE & RD., LTD.	CHKD. B.S.P.	DATE	10/14/07
OWNER	TX. D.O.T.	SHEET NO.	H-4	
ENGINEER	TX. D.O.T.	DWG. NO.	D-2904	
STRUCTURE	LIVE OAK CREEK BRIDGE	JOB NO.	396	
LOCATION	CROCKETT COUNTY			
PROJECT	#BR 2005(856); CDNT. #0140-08-021			



GROUT TUBE DETAIL




GROUT VALVE ASSEMBLY  
(TO BE PROVIDED BY T.C.C.)

NOTE:  
 1. PART #'S ARE FROM GENERAL TECHNOLOGIES, INC.  
 2. REFERENCE SHTS. F-3,4 FOR LOCATIONS.

 **TxDOT**  
**BRIDGE DIVISION**  
**APPROVED**  
**DATE: 10/02/2007**

APPROVAL OF THIS DRAWING DOES NOT RELIEVE THE CONTRACTOR OF THE RESPONSIBILITY FOR THE CORRECTNESS OF DETAIL.

SUBMITTED FOR APPROVAL DATE: 9/19/2007	RELEASED FOR FABRICATION DATE: _____
---	---

 <b>TEXAS CONCRETE COMPANY</b> P.O. DRAWER 1070 VICTORIA, TEXAS 77901	
CUSTOMER CHEROKEE BRIDGE & RD., LTD.	DWN. R.D.B.
OWNER TX. D.O.T.	CHKD. B.S.P.
ENGINEER TX. D.O.T.	DATE: 10/18/07
STRUCTURE LIVE OAK CREEK BRIDGE	SHEET NO. H-6
LOCATION CROCKETT COUNTY	DWG. NO. D-2904
PROJECT #BR 2005(856); CDNT. #0140-08-021	JOB NO. 396